

SKID MOUNTED SCREW PRESS DEWATERING SYSTEM



WTP Sludge Dewatering Skid



FOR SMALLER DEWATERING APPLICATIONS

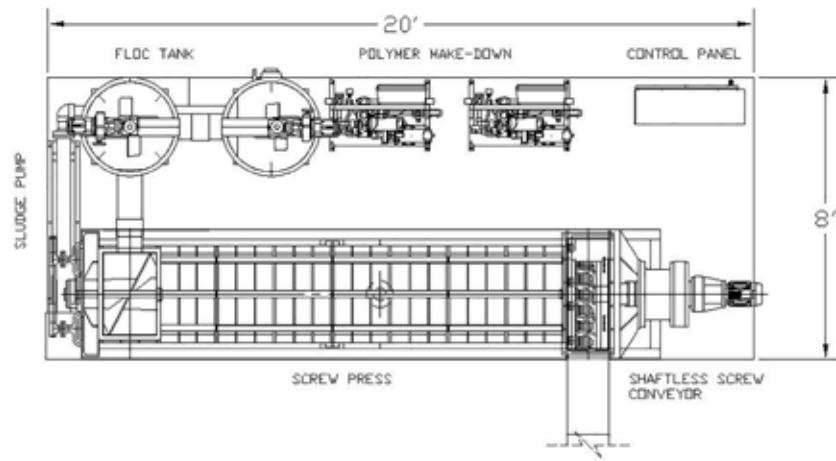
- Municipal WWTP Sludges of All Types
 - Can be used to produce Class A Biosolids
- Water Treatment Plant Sludge
- Industrial Sludges
- Septage
- Grease Trap Sludge

FEATURES OF FKC SKID DEWATERING SYSTEMS

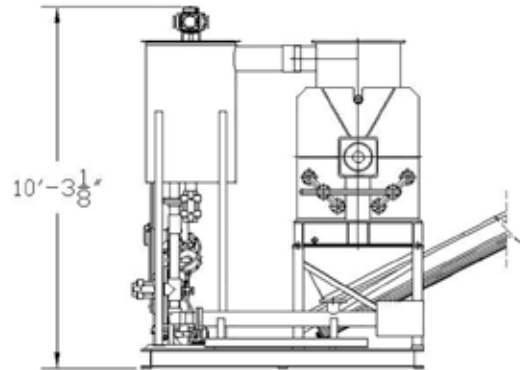
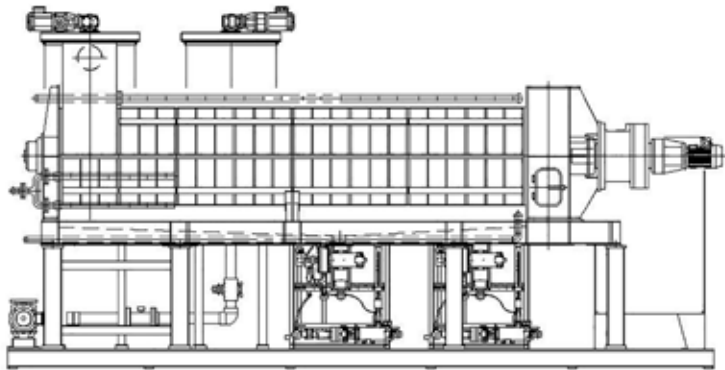
- Custom Designed FKC Screw Press
- Flocculation Tank
- Sludge Pump
- Polymer System
- Control Panel
- Pre-wired & Pre-piped



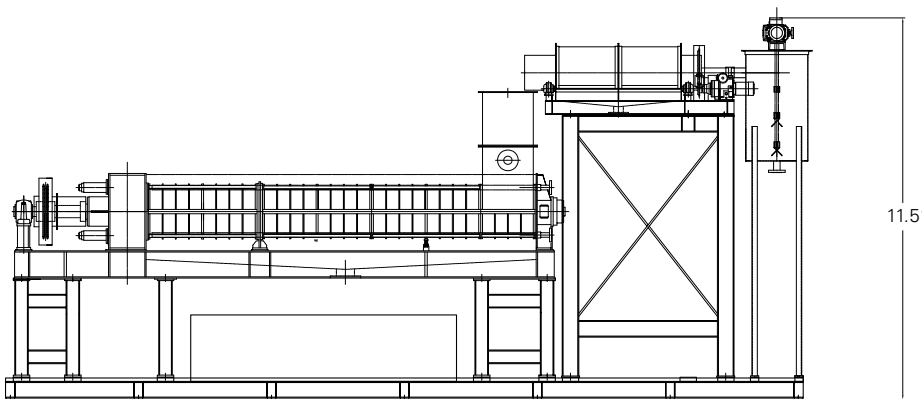
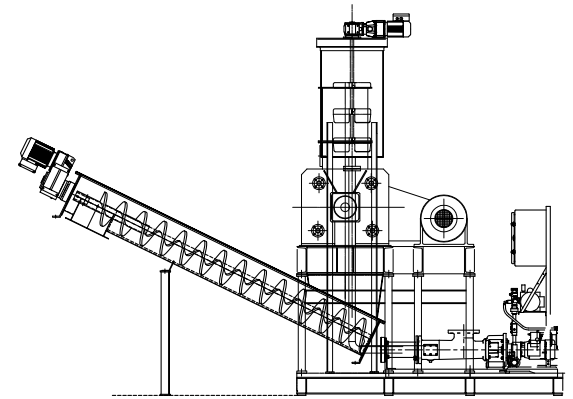
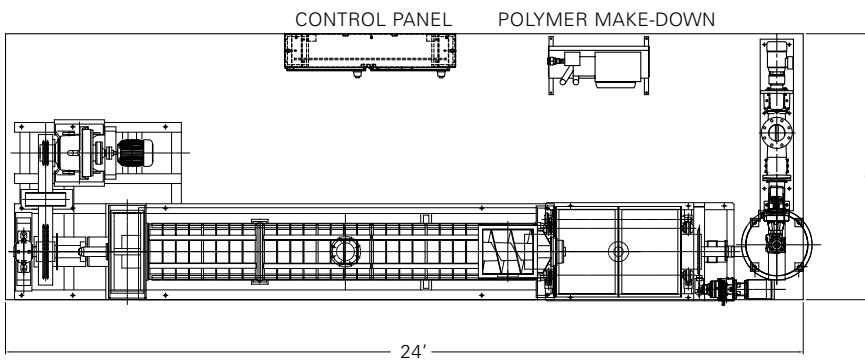
Class A Dewatering Skid Oroville, WA



WTP Sludge Dewatering Skid



Class A Dewatering Skid



FKC Co., Ltd.
 2708 W. 18th Street
 Port Angeles, WA 98363
 (360) 452-9472
www.fkcscrewpress.com
mail@fkcscrewpress.com